

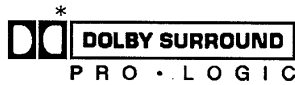
Service Manual

AV Control Stereo Receiver

Receiver

SA-G68

Simplified



Colour

(K) Black Type

Area

| Suffix for Model No. | Area | Colour |
|----------------------|-------------------|--------|
| (PP) | U.S.A. and Canada | (K) |



* Manufactured under license from Dolby Laboratories Licensing Corporation. Additinnally licensed under one or more of the following patents: U.S. numbers 3,632,886,3,746,792 and 3,959,590; Canadian numbers 1,004,603 and 1,037,877. "Dolby" and the double-D symbol are trade marks of Dolby Laboratories Licensing Corporation.

Please file and use this Service Manual together with the Service Manual for Model No. SA-G67 (PP) Order No. MD9701001C1.

Note : This Simplified Service Manual is provided to indicate the main difference between the original Model No. SA-G67 (PP) and the subsequent Model No. SA-G68 (PP).

⚠ WARNING

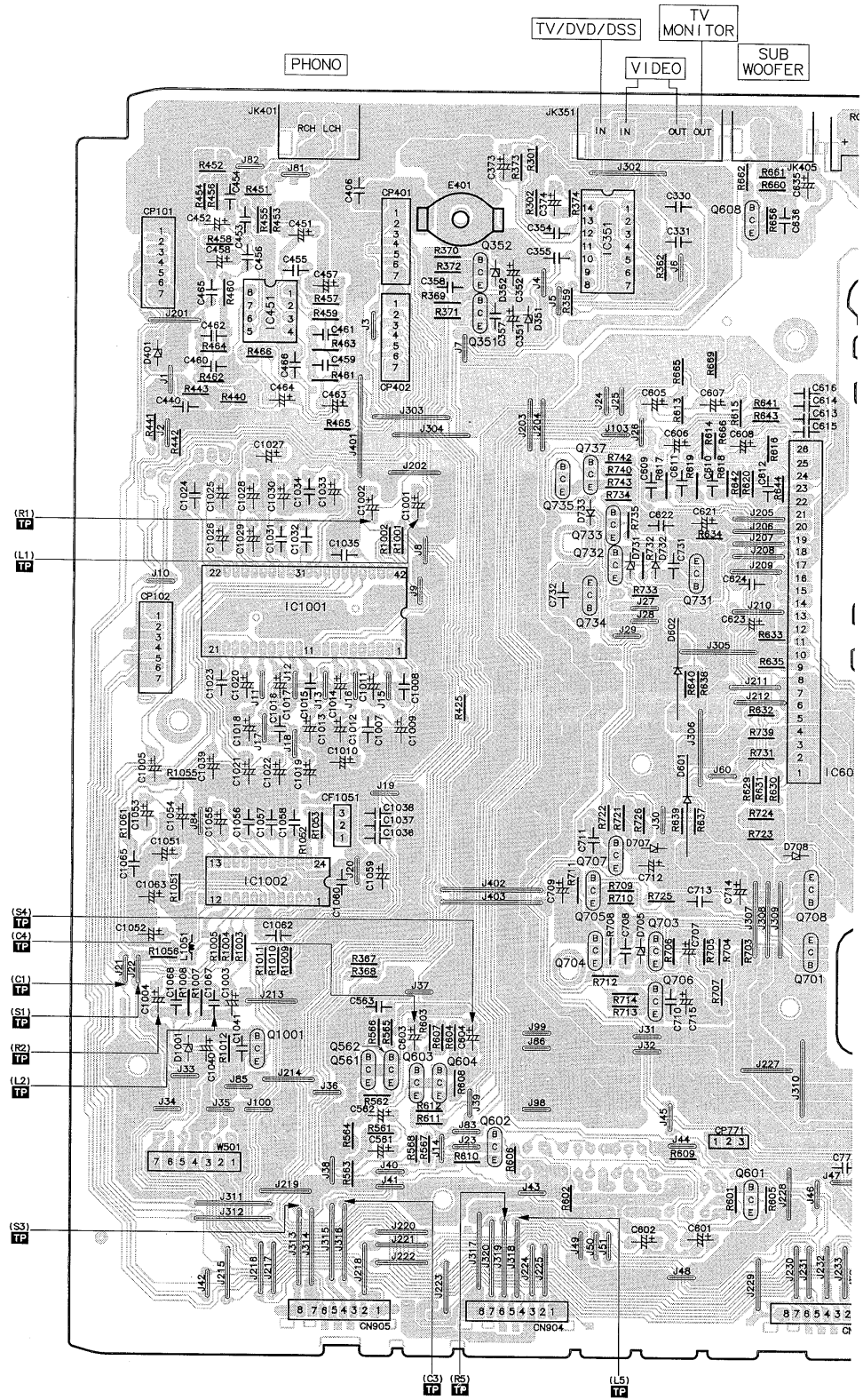
This service information is designed for experienced repair technicians only and is not designed for use by the general public. It does not contain warnings or cautions to advise non-technical individuals of potential dangers in attempting to service a product. Products powered by electricity should be serviced or repaired only by experienced professional technicians. Any attempt to service or repair the product or products dealt with in this service information by anyone else could result in serious injury or death.

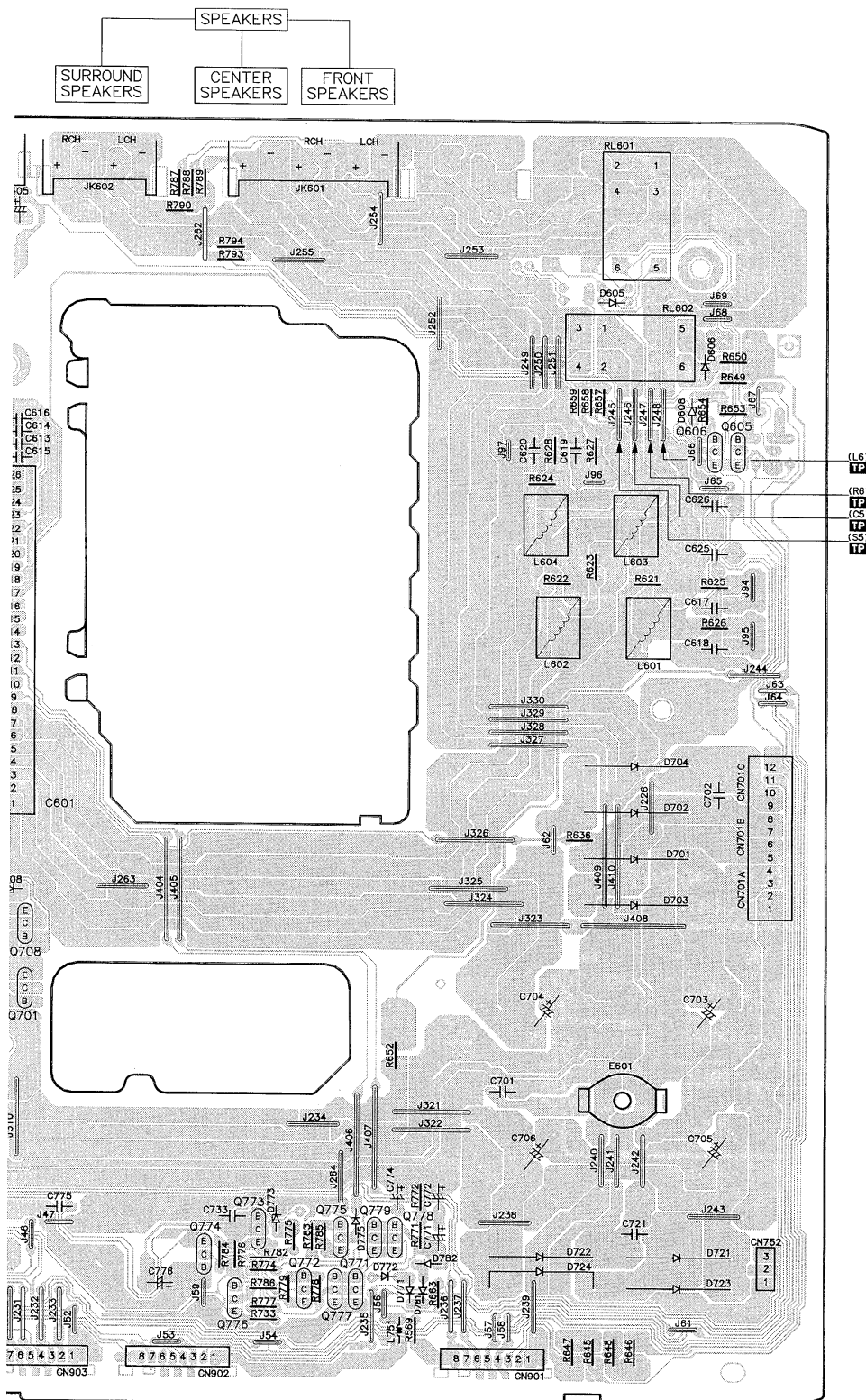
Technics®

© 1998 Matsushita Electronics (S) Pte. Ltd.
All rights reserved. Unauthorized copying and distribution is a violation of law.

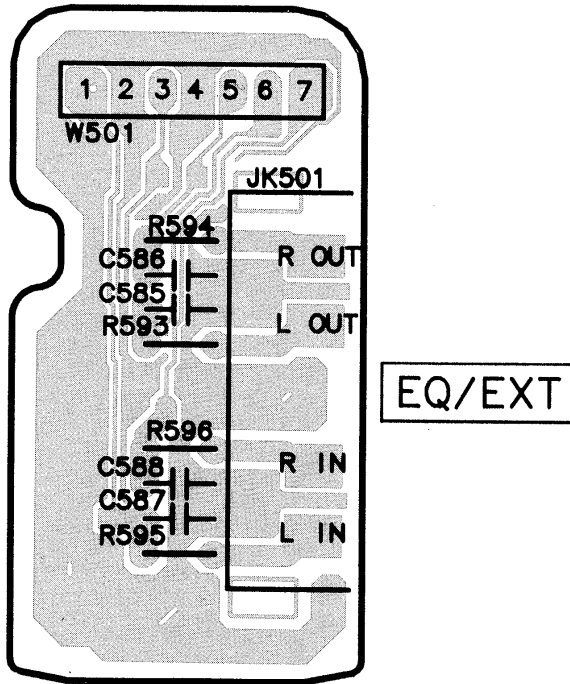
Printed Circuit Board

MAIN P.C.B. (REP2444F-M)

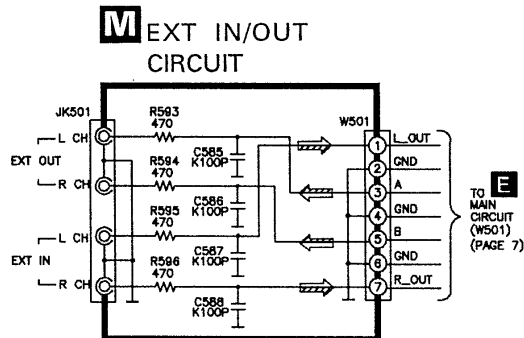




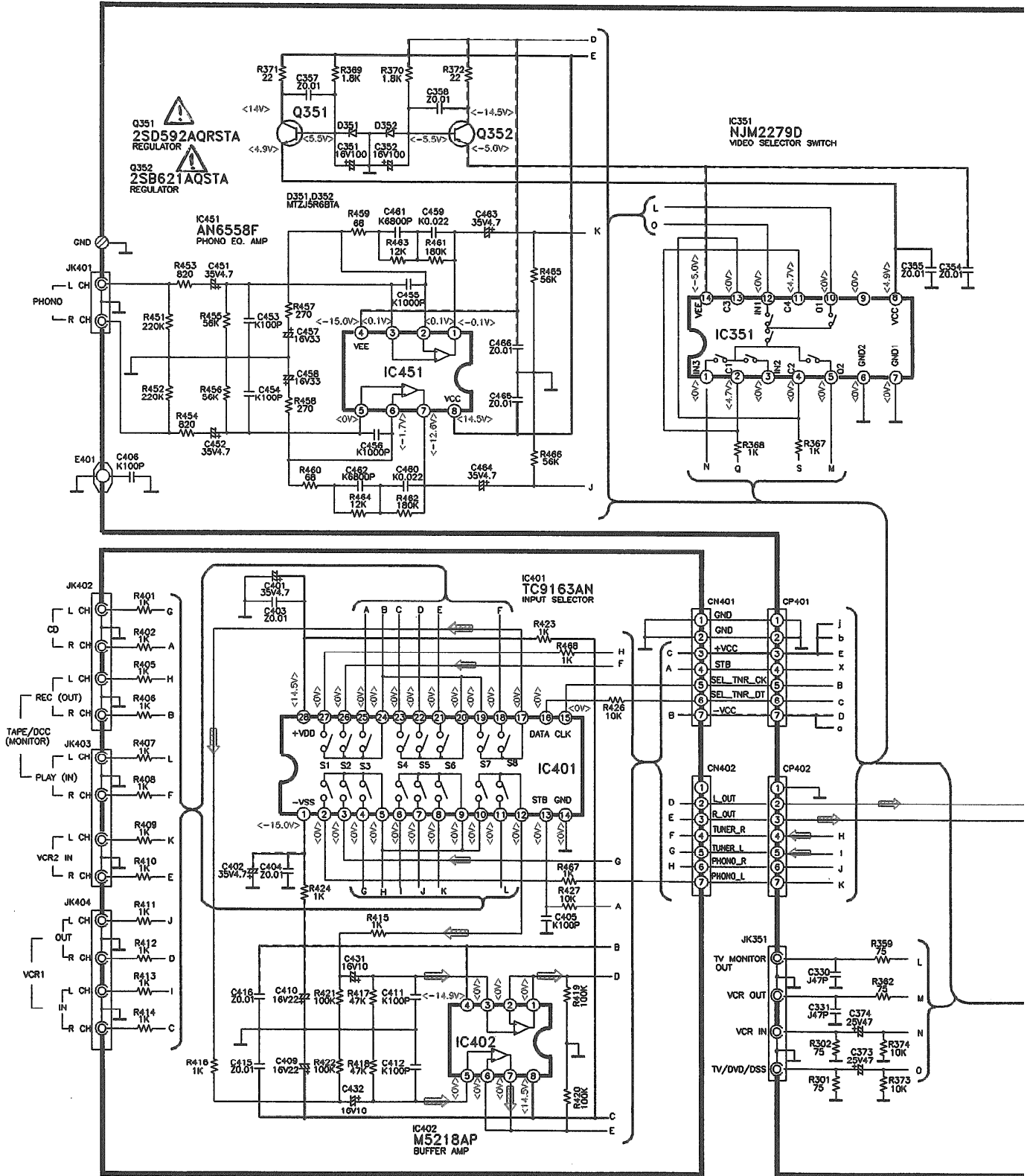
M EQ/EXT P.C.B. (REP2444F-M)



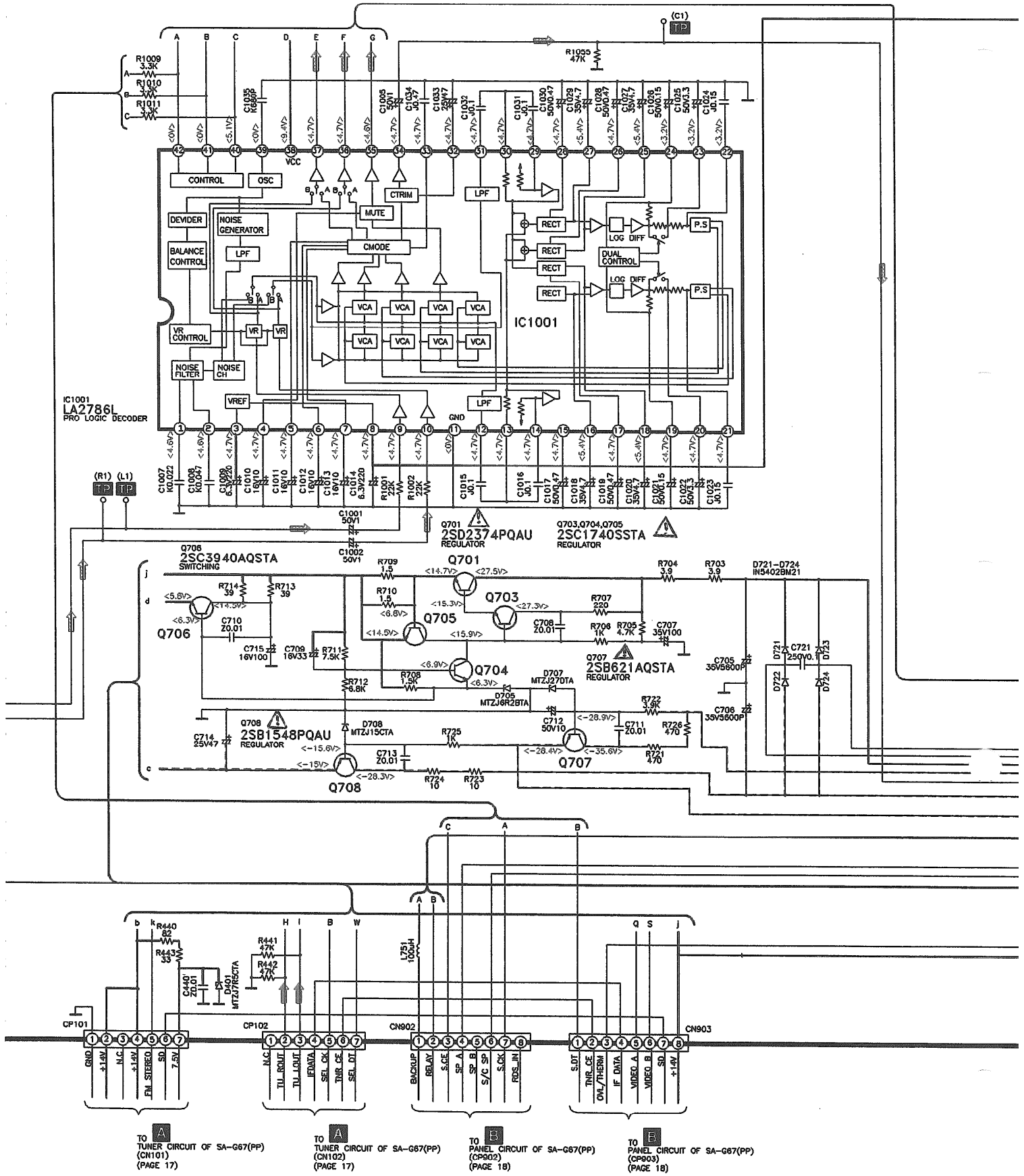
Schematic Diagram



E MAIN CIRCUIT



I IN/OUT TERMINAL CIRCUIT

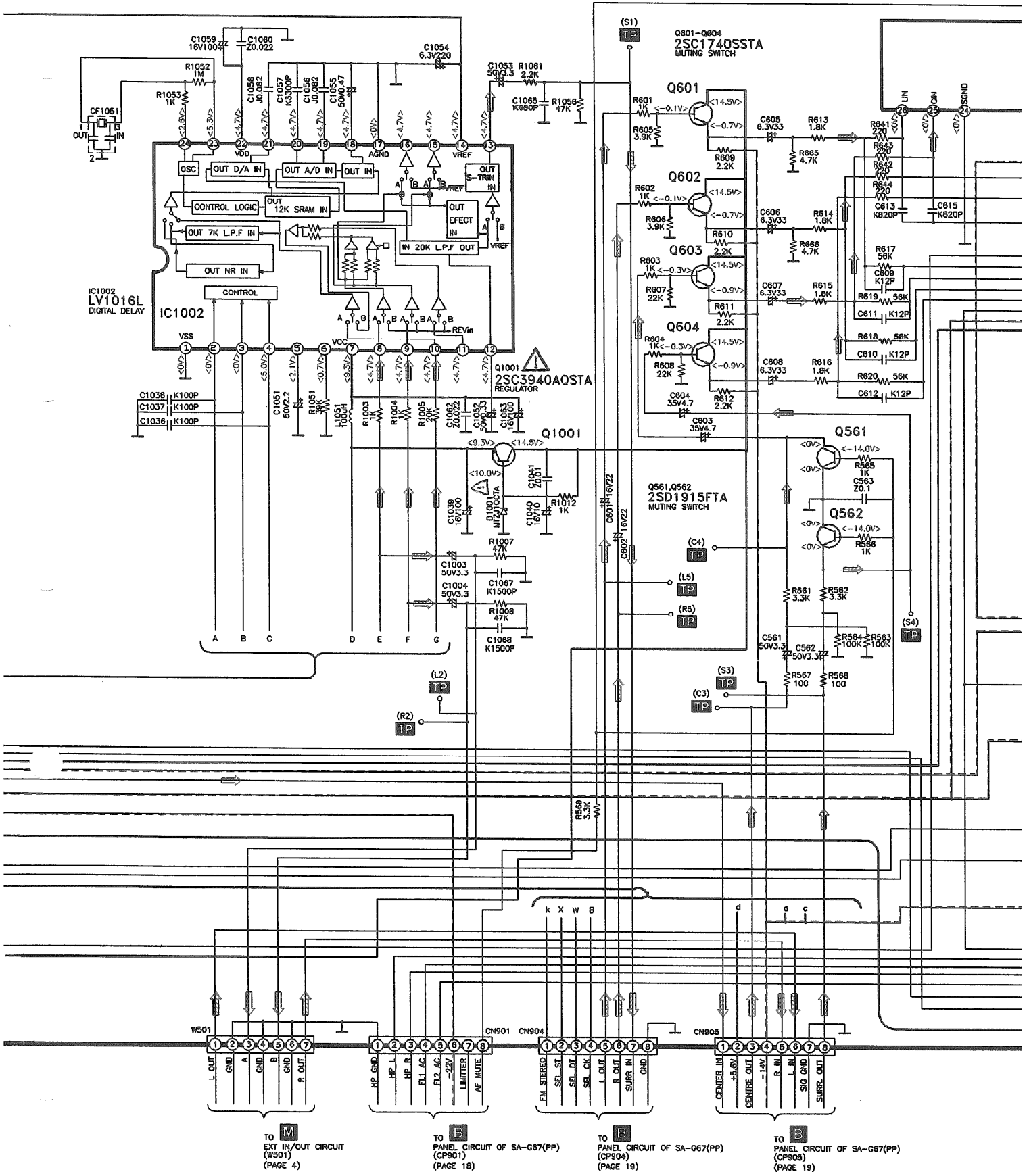


TO **A**
TUNER CIRCUIT OF SA-G67(PP)
(CN101)
(PAGE 17)

TO **A**
TUNER CIRCUIT OF SA-G67(PP)
(CN102)
(PAGE 17)

TO **B**
PANEL CIRCUIT OF SA-G67(PP)
(CP902)
(PAGE 18)

TO **B**
PANEL CIRCUIT OF SA-G67(PP)
(CP903)
(PAGE 18)

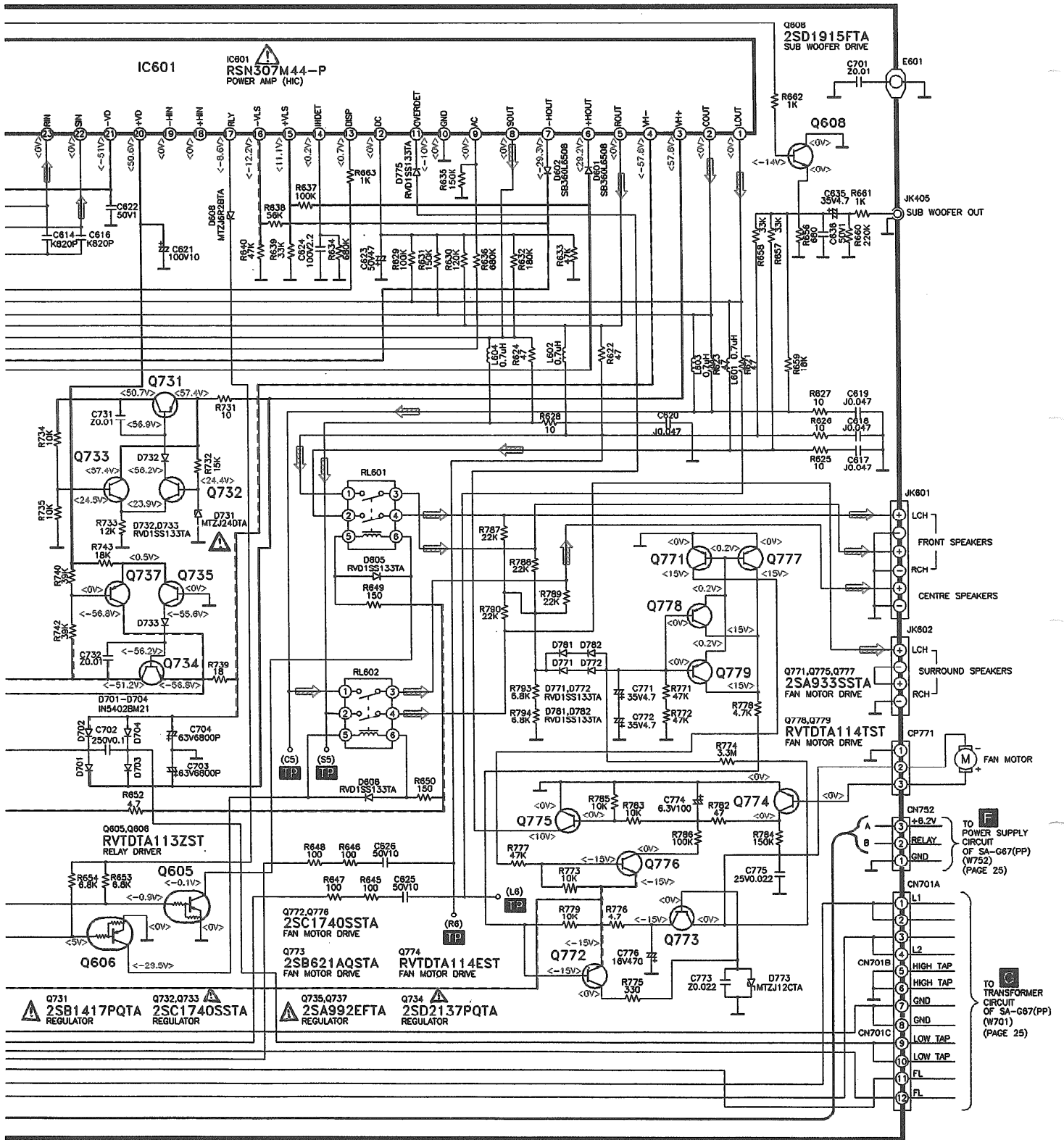


TO **M**
EXIT IN/OUT CIRCUIT
(W501)
(PAGE 4)

TO **B**
PANEL CIRCUIT OF SA-G67 (PP)
(CP901)
(PAGE 18)


TO **B**
PANEL CIRCUIT OF SA-G67 (PP)
(CP904)
(PAGE 19)

TO **B**
PANEL CIRCUIT OF SA-G67 (PP)
(CP906)
(PAGE 19)





Repalcement Parts List

Notes: * Important safety notice:

Components identified by  mark have special characteristics important for safety.

Furthermore, special parts which have purposes of fire-retardant (resistors), high-quality sound (capacitors), low noise (resistors), etc are used. When replacing any of these components, be sure to use only manufacturer's specified parts shown in the parts list.

* [M] Indicates in the Remarks column indicates parts supplied by MESA.

| Ref No. | Part No. | Part Name & Description | Remarks | Ref No. | Part No. | Part Name & Description | Remarks | Ref No. | Part No. | Part Name & Description | Remarks | |
|---------|--------------|----------------------------|---------|---------|--------------|-------------------------|--|--|--------------|-------------------------|---|---|
| | | CABINET AND CHASSIS | | | IC451 | AN6558F | IC, OP AMP | [M] | Q731 | 2SB1417PQTA | TRANSISTOR | [M]  |
| | | | | IC501 | BA6218 | IC, MOTOR DRIVER | [M] | Q732 | 2SC1740SSTA | TRANSISTOR | [M]  | |
| 1 | RKM0374-K | TOP CABINET | [M] | IC511 | UPC4570C | IC, TONE CONTROL | [M] | Q733 | 2SC1740SSTA | TRANSISTOR | [M]  | |
| 2 | RGR0251E-A | REAR PANEL | [M] | IC551 | UPC4570C | IC, TONE CONTROL | [M] | Q734 | 2SD2137PQTA | TRANSISTOR | [M]  | |
| 3 | RGW0243B-K | VOLUME KNOB | [M] | IC601 | RSN307M44-P | IC, HIC | [M]  | Q735 | 2SA992EFTA | TRANSISTOR | [M]  | |
| 4 | SKL293 | LEG CUSHION | [M] | IC901 | M38B53M4050F | IC, MICROCOMPUTER | [M] | Q737 | 2SA992EFTA | TRANSISTOR | [M]  | |
| 5 | RKQ0089-J | PCB HOLDER | [M] | IC1001 | LA2786L | IC, DPL | [M] | Q751 | RVTDC143XST | TRANSISTOR | [M] | |
| 6 | RMC0158-S | TRANSISTOR HOLDER | [M] | IC1002 | LV1016L | IC, SURR DECODER | [M] | Q752 | 2SC3940AQSTA | TRANSISTOR | [M]  | |
| 7 | RMK0350 | BOTTOM CHASSIS | [M] | | | | | Q771 | 2SA933SSTA | TRANSISTOR | [M] | |
| 8 | RMN0372 | FL HOLDER | [M] | | | TRANSISTORS | | Q772 | 2SC1740SSTA | TRANSISTOR | [M] | |
| 9 | SNE2123 | EARTH TERMINAL | [M] | | | | | Q773 | 2SB621AQSTA | TRANSISTOR | [M] | |
| 10 | RXX0186 | HEAT SINK UNIT | [M] | Q1 | 2SK544F-AC | TRANSISTOR | [M] | Q774 | RVTDTA114EST | TRANSISTOR | [M] | |
| 11 | RGU1493C-K | SELECTOR BUTTON | [M] | Q2 | 2SC2786MTA | TRANSISTOR | [M] | Q775 | 2SA933SSTA | TRANSISTOR | [M] | |
| 12 | RGU1350-K | MODE BUTTON | [M] | Q3 | 2SC2787FL1TA | TRANSISTOR | [M] | Q776 | 2SC1740SSTA | TRANSISTOR | [M] | |
| 13 | RGW0244-K1 | BASS TREBLE KNOB | [M] | Q4 | 2SC2787FL1TA | TRANSISTOR | [M] | Q777 | 2SA933SSTA | TRANSISTOR | [M] | |
| 14 | RHN90001 | M9 NUT | [M] | Q101 | 2SC2787LTA | TRANSISTOR | [M] | Q778 | RVTDTA114TST | TRANSISTOR | [M] | |
| 15 | RFKGSAG68PPK | FRONT PANEL ASS'Y | [M] | Q103 | 2SC2785FETA | TRANSISTOR | [M] | Q779 | RVTDTA114TST | TRANSISTOR | [M] | |
| 15-1 | RKW0436C-Q | FL WINDOW | [M] | Q104 | 2SC2785FETA | TRANSISTOR | [M] | Q901 | RVTDC114YST | TRANSISTOR | [M] | |
| 15-2 | RGB0031-A | TECHNICS BADGE | [M] | Q106 | RVTDTA143XST | TRANSISTOR | [M] | Q902 | 2SA933SSTA | TRANSISTOR | [M]  | |
| 15-3 | RGP0526M-K | FRONT PANEL | [M] | Q107 | 2SC3311ARTA | TRANSISTOR | [M] | Q1001 | 2SC3940AQSTA | TRANSISTOR | [M]  | |
| 17 | SNE2129-1 | SCREW (CABINET) | [M] | Q108 | 2SC3311ARTA | TRANSISTOR | [M] | | | | | |
| 18 | XTBS3+8JFZ1 | SCREW | [M] | Q351 | 2SD592AQRSTA | TRANSISTOR | [M]  | | | DIODES | | |
| 19 | XTB3+20JFZ | SCREW | [M] | Q352 | 2SB621AQSTA | TRANSISTOR | [M]  | | | | | |
| 20 | XTB3+8FFZ | SCREW | [M] | Q505 | 2SD1915FTA | TRANSISTOR | [M] | D1 | SVC211SPA-AL | DIODE | [M] | |
| 21 | XTB3+30J | SCREW | [M] | Q506 | 2SD1915FTA | TRANSISTOR | [M] | D2 | SVC211SPA-AL | DIODE | [M] | |
| 22 | XTW3+15T | SCREW | [M] | Q561 | 2SD1915FTA | TRANSISTOR | [M] | D3 | SVC211SPA-AL | DIODE | [M] | |
| 23 | RHD26016 | SCREW | [M] | Q562 | 2SD1915FTA | TRANSISTOR | [M] | D101 | MTZJ5R1BTA | DIODE | [M] | |
| 24 | XTBS26+10J | SCREW | [M] | Q601 | 2SC1740SSTA | TRANSISTOR | [M] | D102 | RVD1SS133TA | DIODE | [M] | |
| 25 | RSC0027-1 | SHIELD CASE | [M] | Q602 | 2SC1740SSTA | TRANSISTOR | [M] | D351 | MTZJ5R6BTA | DIODE | [M] | |
| 26 | RMQ0709 | TUNER PCB BRACKET | [M] | Q603 | 2SC1740SSTA | TRANSISTOR | [M] | D352 | MTZJ5R6BTA | DIODE | [M] | |
| 28 | REM0069 | FAN UNIT | [M] | Q604 | 2SC1740SSTA | TRANSISTOR | [M] | D401 | MTZJ7R5CTA | DIODE | [M] | |
| 31 | RGU1352A-K | DOLBY BUTTON | [M] | Q605 | RVTDTA113ZST | TRANSISTOR | [M] | D601 | SB360L6508 | DIODE | [M] | |
| 35 | SJS9234A | AC INLET COVER | [M] | Q606 | RVTDTA113ZST | TRANSISTOR | [M] | D602 | SB360L6508 | DIODE | [M] | |
| 36 | SJS9233A | AC OUTLET COVER | [M] | Q608 | 2SD1915FTA | TRANSISTOR | [M] | D605 | RVD1SS133TA | DIODE | [M] | |
| 37 | RJR0180 | SHORE PIN | [M] | Q681 | 2SD1915FTA | TRANSISTOR | [M] | D606 | RVD1SS133TA | DIODE | [M] | |
| | | | | Q682 | 2SD1915FTA | TRANSISTOR | [M] | D608 | MTZJ6R2BTA | DIODE | [M] | |
| | | INTEGRATED CIRCUITS | | | Q701 | 2SD2374PQAU | TRANSISTOR | [M]  | D701 | 1N5402BM21 | DIODE | [M]  |
| | | | | Q703 | 2SC1740SSTA | TRANSISTOR | [M]  | D702 | 1N5402BM21 | DIODE | [M]  | |
| IC101 | LA1832A | IC, IF/MPX | [M] | Q704 | 2SC1740SSTA | TRANSISTOR | [M]  | D703 | 1N5402BM21 | DIODE | [M]  | |
| IC102 | LC7218 | IC, PLL | [M] | Q705 | 2SC1740SSTA | TRANSISTOR | [M]  | D704 | 1N5402BM21 | DIODE | [M]  | |
| IC351 | NJM2279D | IC, VIDEO SELECT SW | [M] | Q706 | 2SC3940AQSTA | TRANSISTOR | [M] | D705 | MTZJ6R2BTA | DIODE | [M]  | |
| IC401 | TC9163AN | IC, SELECTOR | [M] | Q707 | 2SB621AQSTA | TRANSISTOR | [M]  | D707 | MTZJ27DTA | DIODE | [M]  | |
| IC402 | M5218AP | IC, BUFFER AMP | [M] | Q708 | 2SB1548PQAU | TRANSISTOR | [M]  | D708 | MTZJ15CTA | DIODE | [M]  | |

| Ref No. | Part No. | Part Name & Description | Remarks | Ref No. | Part No. | Part Name & Description | Remarks | Ref No. | Part No. | Part Name & Description | Remarks |
|---------|--------------|-------------------------|---------|---------|--------------|-------------------------|---------|---------|--------------|-------------------------|---------|
| D721 | 1N5402BM21 | DIODE | [M]▲ | S963 | EVQ21405R | TACT SWITCH | [M] | L602 | RLQYR73MW-E | CHOKE COIL | [M] |
| D722 | 1N5402BM21 | DIODE | [M]▲ | S964 | EVQ21405R | TACT SWITCH | [M] | L603 | RLQYR73MW-E | CHOKE COIL | [M] |
| D723 | 1N5402BM21 | DIODE | [M]▲ | S970 | EVQ21405R | TACT SWITCH | [M] | L604 | RLQYR73MW-E | CHOKE COIL | [M] |
| D724 | 1N5402BM21 | DIODE | [M]▲ | S972 | EVQ21405R | TACT SWITCH | [M] | L751 | ELESN101KA | CHOKE COIL | [M] |
| D731 | MTZJ24DTA | DIODE | [M]▲ | S974 | EVQ21405R | TACT SWITCH | [M] | L901 | RLQB101KTA-Y | CHOKE COIL | [M] |
| D732 | RVD1SS133TA | DIODE | [M] | S980 | EVQ21405R | TACT SWITCH | [M] | L1051 | ELESN101KA | CHOKE COIL | [M] |
| D733 | RVD1SS133TA | DIODE | [M] | | | | | T701 | RTP2N5C008 | P. TRANSFORMER | [M]▲ |
| D751 | 1SR35200TB | DIODE | [M]▲ | | | | | T751 | RTP1H5C001-V | P. TRANSFORMER (S) | [M]▲ |
| D752 | 1SR35200TB | DIODE | [M]▲ | | | | | | | | |
| D753 | 1SR35200TB | DIODE | [M]▲ | CN101 | RJU057W007 | 7P CONNECTOR | [M] | | | | |
| D754 | 1SR35200TB | DIODE | [M]▲ | CN102 | RJU057W007 | 7P CONNECTOR | [M] | | | | |
| D755 | RVD1SS133TA | DIODE | [M]▲ | CN401 | RJU100W07 | 7P CONNECTOR | [M] | Z101 | RLA2Z002M-T | AM ANT. COIL | [M] |
| D756 | MTZJ6R8BTA | DIODE | [M]▲ | CN402 | RJU100W07 | 7P CONNECTOR | [M] | Z102 | RLI2Z006M-T | AM IFT | [M] |
| D771 | RVD1SS133TA | DIODE | [M] | CN501 | RJU100W07 | 7P CONNECTOR | [M] | Z751 | ERZV10V511CS | ZNR | [M]▲ |
| D772 | RVD1SS133TA | DIODE | [M] | CN502 | RJU100W04 | 4P CONNECTOR | [M] | Z891 | RCDSPS4242N | REMOTE SENSOR | [M] |
| D773 | MTZJ12CTA | DIODE | [M] | CN701A | RJS1A6604T1 | 4P CONNECTOR | [M] | | | | |
| D775 | RVD1SS133TA | DIODE | [M] | CN701B | RJS1A6604T1 | 4P CONNECTOR | [M] | | | | |
| D781 | RVD1SS133TA | DIODE | [M] | CN701C | RJS1A6604T1 | 4P CONNECTOR | [M] | | | | |
| D782 | RVD1SS133TA | DIODE | [M] | CN751 | SJS305-1 | 3P CONNECTOR | [M] | | | | |
| D901 | 1SS291TA | DIODE | [M] | CN752 | RJS1A6603T1 | 3P TAPING CONNECT | [M] | | | | |
| D903 | MTZJ4R7BTA | DIODE | [M] | CN901 | RJU003K008M1 | BOAD IN CONNECTOR | [M] | CF201 | RLFFETMGD01L | CERAMIC FILTER | [M] |
| D908 | MA167ATA | DIODE | [M] | CN902 | RJU003K008M1 | BOAD IN CONNECTOR | [M] | CF202 | RLFFETMGD01L | CERAMIC FILTER | [M] |
| D921 | RVD1SS133TA | DIODE | [M] | CN903 | RJU003K008M1 | BOAD IN CONNECTOR | [M] | CF901 | RVCBST4R00MT | CERAMIC OSC | [M] |
| D923 | RVD1SS133TA | DIODE | [M] | CN904 | RJU003K008M1 | BOAD IN CONNECTOR | [M] | CF1051 | EF0EC8004T4 | CERAMIC OSC | [M] |
| D924 | MTZJ3R9ATA | DIODE | [M] | CN905 | RJU003K008M1 | BOAD IN CONNECTOR | [M] | | | | |
| D1001 | MTZJ10CTA | DIODE | [M]▲ | CP101 | RJT057W007-1 | 7P CONNECTOR | [M] | | | | |
| | | | | CP102 | RJT057W007-1 | 7P CONNECTOR | [M] | RL601 | RSY0013M-0 | RELAY | [M] |
| | | VARIABLE RESISTORS | | CP401 | RJT100W07 | 7P CONNECTOR | [M] | RL602 | RSY0013M-0 | RELAY | [M] |
| | | | | CP402 | RJT100W07 | 7P CONNECTOR | [M] | RL751 | RSY0019M-0 | 12V TV-5 RELAY | [M]▲ |
| VR501 | EUWMRH026B15 | VR, MOTOR | [M] | CP501 | RJT100W07 | 7P CONNECTOR | [M] | | | | |
| VR502 | EVJ02QF01G15 | VR, BAL. CONTROL | [M] | CP502 | RJT100W04 | 4P CONNECTOR | [M] | | | | |
| VR511 | EVJYA1F01C15 | VR, TONE CONTROL | [M] | CP771 | RJP3G4YA | CONNECTOR | [M] | | | | |
| VR512 | EVJYA1F01C15 | VR, TONE CONTROL | [M] | CP901 | RJT003K008M1 | 8P CONNECTOR | [M] | X101 | RSXZ456KM07M | CERAMIC OSC | [M] |
| | | | | CP902 | RJT003K008M1 | 8P CONNECTOR | [M] | X102 | RLFDGTD01I | FM REZONATOR | [M] |
| | | SWITCHES | | CP903 | RJT003K008M1 | 8P CONNECTOR | [M] | X103 | SVQ49U722T-S | CRYSTAL 7.2MHZ | [M] |
| | | | | CP904 | RJT003K008M1 | 8P CONNECTOR | [M] | | | | |
| S946 | EVQ21405R | TACT SWITCH | [M] | CP905 | RJT003K008M1 | 8P CONNECTOR | [M] | | | | |
| S947 | EVQ21405R | TACT SWITCH | [M] | | | | | | | | |
| S948 | EVQ21405R | TACT SWITCH | [M] | | | | | | | | |
| S950 | EVQ21405R | TACT SWITCH | [M] | | | | | | | | |
| S951 | EVQ21405R | TACT SWITCH | [M] | | | | | | | | |
| S952 | EVQ21405R | TACT SWITCH | [M] | L1 | RLQZP1R2JT-Y | RF CHOKE COIL | [M] | | | | |
| S953 | EVQ21405R | TACT SWITCH | [M] | L2 | RLQZPR47KT-Y | RF CHOKE COIL | [M] | F1 | XBA1C50NBAL | FUSE | [M]▲ |
| S955 | EVQ21405R | TACT SWITCH | [M] | L101 | ELESN1R5MA | CHOKE COIL | [M] | F3 | XBA1C80NBAL | FUSE | [M]▲ |
| S956 | EVQ21405R | TACT SWITCH | [M] | L103 | ELEXTR47MA9 | CHOKE COIL | [M] | F4 | XBA1C80NBAL | FUSE | [M]▲ |
| S957 | EVQ21405R | TACT SWITCH | [M] | L501 | RLQZP1R0KT-Y | AXIAL COIL | [M] | | | | |
| S960 | EVQ21405R | TACT SWITCH | [M] | L502 | RLQZP1R0KT-Y | AXIAL COIL | [M] | | | | |
| S961 | EVQ21405R | TACT SWITCH | [M] | L601 | RLQYR73MW-E | CHOKE COIL | [M] | | | | |
| S962 | EVQ21405R | TACT SWITCH | [M] | | | | | FC701 | RJR0169T | FUSE HOLDER | [M] |
| | | | | | | | | FC702 | RJR0169T | FUSE HOLDER | [M] |

| Ref No. | Part No. | Part Name & Description | Remarks | Ref No. | Part No. | Part Name & Description | Remarks | Ref No. | Part No. | Part Name & Description | Remarks |
|---------|--------------|--------------------------|---------|---------|----------|-------------------------|---------|---------|----------|-------------------------|---------|
| FC703 | RJR0169T | FUSE HOLDER | [M] | | | | | | | | |
| FC704 | RJR0169T | FUSE HOLDER | [M] | | | | | | | | |
| FC705 | RJR0169T | FUSE HOLDER | [M] | | | | | | | | |
| FC706 | RJR0169T | FUSE HOLDER | [M] | | | | | | | | |
| | | JACKS | | | | | | | | | |
| HP601 | RJJ63TS01 | JK, HEADPHONES | [M] | | | | | | | | |
| JK101 | RJH4405 | JK, ANT TERMINAL | [M] | | | | | | | | |
| JK351 | SJF3069-3N | JK, RCA PIN | [M] | | | | | | | | |
| JK401 | SJF3068-7N | JK, RCA TERMINAL | [M] | | | | | | | | |
| JK402 | SJF3069N | JK, LINE IN | [M] | | | | | | | | |
| JK403 | SJF3069N | JK, LINE IN | [M] | | | | | | | | |
| JK404 | SJF3069N | JK, LINE IN | [M] | | | | | | | | |
| JK405 | SJFD7 | JK, FM MULTI OUT | [M] | | | | | | | | |
| JK501 | SJF3069N | JK, LINE IN | [M] | | | | | | | | |
| JK601 | RJH5601 | JK, SP TERMINAL | [M] | | | | | | | | |
| JK602 | RJR0054 | JK, SP TERMINAL | [M] | | | | | | | | |
| JK791 | SJS9234B | JK, AC INLET | [M] ⚠ | | | | | | | | |
| JK792 | SJS9233B | JK, AC OUTLET | [M] ⚠ | | | | | | | | |
| | | EARTH TERMINALS | | | | | | | | | |
| E401 | SNE1004-2 | EARTH TERMINAL | [M] | | | | | | | | |
| E601 | SNE1004-2 | EARTH TERMINAL | [M] | | | | | | | | |
| | | WIRES | | | | | | | | | |
| W1 | REE0769 | WIRE UNIT | [M] | | | | | | | | |
| W2 | REE0770 | WIRE UNIT | [M] | | | | | | | | |
| W3 | REE0771 | WIRE UNIT | [M] | | | | | | | | |
| W501 | RWJ1807270CC | WIRE | [M] | | | | | | | | |
| W701 | RWJ1812150CQ | WIRE | [M] | | | | | | | | |
| W752 | RWJ1803250CQ | WIRE | [M] | | | | | | | | |
| | | PACKING MATERIALS | | | | | | | | | |
| P1 | RPF0005 | MIRAMAT BAG | [M] | | | | | | | | |
| P2 | RPG3782 | PACKING CASE | [M] | | | | | | | | |
| P3 | RPN0865 | POLYFOAM | [M] | | | | | | | | |

Resistors & Capacitors

Notes : * Capacitor values are in microfarads (μF) unless specified otherwise, P=Pico-farads (pF), F=Farads.
 * Resistance values are in ohms, unless specified otherwise, 1K=1,000 (OHM).
 * Bracketed indications in Values & Remarks columns specify the area (Refer to the first page for area).
 Parts without these indications can be used for all areas.
 * [M] Indicates in the values & remarks column indicates parts supplied by MESA

| Ref. No. | Part No. | Values & Remarks | Ref. No. | Part No. | Values & Remarks | Ref. No. | Part No. | Values & Remarks | Ref. No. | Part No. | Values & Remarks |
|----------|-------------|------------------|----------|--------------|------------------|----------|--------------|-----------------------|----------|-------------|------------------|
| | | RESISTORS | | | | | | | | | |
| R1 | ERDS2TJ104T | 100K 1/4W [M] | R137 | ERDS2TJ102T | 1K 1/4W [M] | R417 | ERDS2TJ473T | 47K 1/4W [M] | R514 | ERDS2TJ474T | 470K 1/4W [M] |
| R2 | ERDS2TJ104T | 100K 1/4W [M] | R139 | ERDS2TJ272T | 2.7K 1/4W [M] | R418 | ERDS2TJ473T | 47K 1/4W [M] | R515 | ERDS2TJ474T | 470K 1/4W [M] |
| R3 | ERDS2TJ221T | 220 1/4W [M] | R140 | ERDS2TJ272T | 2.7K 1/4W [M] | R419 | ERDS2TJ104T | 100K 1/4W [M] | R516 | ERDS2TJ474T | 470K 1/4W [M] |
| R4 | ERDS2TJ104T | 100K 1/4W [M] | R141 | ERDS2TJ103T | 10K 1/4W [M] | R420 | ERDS2TJ104T | 100K 1/4W [M] | R517 | ERDS2TJ332T | 3.3K 1/4W [M] |
| R5 | ERDS2TJ564T | 560K 1/4W [M] | R142 | ERDS2TJ103T | 10K 1/4W [M] | R421 | ERDS2TJ104T | 100K 1/4W [M] | R518 | ERDS2TJ332T | 3.3K 1/4W [M] |
| R6 | ERDS2TJ391T | 390 1/4W [M] | R143 | ERDS2TJ222T | 2.2K 1/4W [M] | R422 | ERDS2TJ104T | 100K 1/4W [M] | R519 | ERDS2TJ222T | 2.2K 1/4W [M] |
| R7 | ERDS2TJ272T | 2.7K 1/4W [M] | R144 | ERDS2TJ222T | 2.2K 1/4W [M] | R423 | ERDS2TJ102T | 1K 1/4W [M] | R520 | ERDS2TJ222T | 2.2K 1/4W [M] |
| R8 | ERDS2TJ684T | 680K 1/4W [M] | R145 | ERDS2TJ102T | 1K 1/4W [M] | R424 | ERDS2TJ102T | 1K 1/4W [M] | R521 | ERDS2TJ223T | 22K 1/4W [M] |
| R9 | ERDS2TJ391T | 390 1/4W [M] | R146 | ERDS2TJ102T | 1K 1/4W [M] | R425 | ERDS2TJ103T | 10K 1/4W [M] | R522 | ERDS2TJ223T | 22K 1/4W [M] |
| R10 | ERDS2TJ391T | 390 1/4W [M] | R147 | ERDS2TJ474T | 470K 1/4W [M] | R426 | ERDS2TJ103T | 10K 1/4W [M] | R523 | ERDS2TJ392T | 3.9K 1/4W [M] |
| R11 | ERDS2TJ684T | 680K 1/4W [M] | R148 | ERDS2TJ474T | 470K 1/4W [M] | R427 | ERDS2TJ103T | 10K 1/4W [M] | R524 | ERDS2TJ392T | 3.9K 1/4W [M] |
| R103 | ERDS2TJ151T | 150 1/4W [M] | R149 | ERDS2TJ680T | 68 1/4W [M] | R440 | ERDS1FVJ820T | 82 1/2W Δ [M] | R525 | ERDS2TJ222T | 2.2K 1/4W [M] |
| R104 | ERDS2TJ102T | 1K 1/4W [M] | R171 | ERDS2TJ102T | 1K 1/4W [M] | R441 | ERDS2TJ473T | 47K 1/4W [M] | R526 | ERDS2TJ222T | 2.2K 1/4W [M] |
| R105 | ERDS2TJ471T | 470 1/4W [M] | R172 | ERDS2TJ102T | 1K 1/4W [M] | R442 | ERDS2TJ473T | 47K 1/4W [M] | R527 | ERDS2TJ122T | 1.2K 1/4W [M] |
| R106 | ERDS2TJ224T | 220K 1/4W [M] | R173 | ERDS2TJ471T | 470 1/4W [M] | R443 | ERDS2TJ330T | 33 1/4W [M] | R528 | ERDS2TJ122T | 1.2K 1/4W [M] |
| R107 | ERDS2TJ471T | 470 1/4W [M] | R175 | ERDS2TJ102T | 1K 1/4W [M] | R451 | ERDS2TJ224T | 220K 1/4W [M] | R529 | ERDS2TJ273T | 27K 1/4W [M] |
| R110 | ERDS2TJ102T | 1K 1/4W [M] | R176 | ERDS2TJ391T | 390 1/4W [M] | R452 | ERDS2TJ224T | 220K 1/4W [M] | R530 | ERDS2TJ273T | 27K 1/4W [M] |
| R112 | ERDS2TJ104T | 100K 1/4W [M] | R301 | ERDS2TJ750T | 75 1/4W [M] | R453 | ERDS2TJ821T | 820 1/4W [M] | R531 | ERDS2TJ332T | 3.3K 1/4W [M] |
| R113 | ERDS2TJ103T | 10K 1/4W [M] | R302 | ERDS2TJ750T | 75 1/4W [M] | R454 | ERDS2TJ821T | 820 1/4W [M] | R532 | ERDS2TJ332T | 3.3K 1/4W [M] |
| R114 | ERDS2TJ562T | 5.6K 1/4W [M] | R359 | ERDS2TJ750T | 75 1/4W [M] | R455 | ERDS2TJ563T | 56K 1/4W [M] | R533 | ERDS2TJ103T | 10K 1/4W [M] |
| R115 | ERDS2TJ561T | 560 1/4W [M] | R362 | ERDS2TJ750T | 75 1/4W [M] | R456 | ERDS2TJ563T | 56K 1/4W [M] | R534 | ERDS2TJ103T | 10K 1/4W [M] |
| R116 | ERDS2TJ102T | 1K 1/4W [M] | R367 | ERDS2TJ102T | 1K 1/4W [M] | R457 | ERDS2TJ271T | 270 1/4W [M] | R543 | ERDS2TJ102T | 1K 1/4W [M] |
| R117 | ERDS2TJ104T | 100K 1/4W [M] | R368 | ERDS2TJ102T | 1K 1/4W [M] | R458 | ERDS2TJ271T | 270 1/4W [M] | R544 | ERDS2TJ102T | 1K 1/4W [M] |
| R118 | ERDS2TJ562T | 5.6K 1/4W [M] | R369 | ERDS2TJ182T | 1.8K 1/4W [M] | R459 | ERDS2TJ680T | 68 1/4W [M] | R545 | ERDS2TJ684T | 680K 1/4W [M] |
| R119 | ERDS2TJ822T | 8.2K 1/4W [M] | R370 | ERDS2TJ182T | 1.8K 1/4W [M] | R460 | ERDS2TJ680T | 68 1/4W [M] | R546 | ERDS2TJ103T | 10K 1/4W [M] |
| R120 | ERDS2TJ473T | 47K 1/4W [M] | R371 | ERD2FCVG220T | 22 1/4W [M] | R461 | ERDS2TJ184T | 180K 1/4W [M] | R551 | ERDS2TJ102T | 1K 1/4W [M] |
| R121 | ERDS2TJ332T | 3.3K 1/4W [M] | R372 | ERD2FCVG220T | 22 1/4W [M] | R462 | ERDS2TJ184T | 180K 1/4W [M] | R552 | ERDS2TJ102T | 1K 1/4W [M] |
| R122 | ERDS2TJ272T | 2.7K 1/4W [M] | R373 | ERDS2TJ103T | 10K 1/4W [M] | R463 | ERDS2TJ123T | 12K 1/4W [M] | R553 | ERDS2TJ104T | 100K 1/4W [M] |
| R124 | ERDS2TJ271T | 270 1/4W [M] | R374 | ERDS2TJ103T | 10K 1/4W [M] | R464 | ERDS2TJ123T | 12K 1/4W [M] | R554 | ERDS2TJ104T | 100K 1/4W [M] |
| R125 | ERDS2TJ472T | 4.7K 1/4W [M] | R401 | ERDS2TJ102T | 1K 1/4W [M] | R465 | ERDS2TJ563T | 56K 1/4W [M] | R555 | ERDS2TJ223T | 22K 1/4W [M] |
| R126 | ERDS2TJ472T | 4.7K 1/4W [M] | R402 | ERDS2TJ102T | 1K 1/4W [M] | R466 | ERDS2TJ563T | 56K 1/4W [M] | R556 | ERDS2TJ223T | 22K 1/4W [M] |
| R127 | ERDS2TJ103T | 10K 1/4W [M] | R405 | ERDS2TJ102T | 1K 1/4W [M] | R467 | ERDS2TJ102T | 1K 1/4W [M] | R557 | ERDS2TJ681T | 680 1/4W [M] |
| R128 | ERDS2TJ820T | 82 1/4W [M] | R406 | ERDS2TJ102T | 1K 1/4W [M] | R468 | ERDS2TJ102T | 1K 1/4W [M] | R558 | ERDS2TJ102T | 1K 1/4W [M] |
| R129 | ERDS2TJ473T | 47K 1/4W [M] | R407 | ERDS2TJ102T | 1K 1/4W [M] | R501 | ERDS2TJ222T | 2.2K 1/4W [M] | R561 | ERDS2TJ332T | 3.3K 1/4W [M] |
| R130 | ERDS2TJ102T | 1K 1/4W [M] | R408 | ERDS2TJ102T | 1K 1/4W [M] | R502 | ERDS2TJ222T | 2.2K 1/4W [M] | R562 | ERDS2TJ332T | 3.3K 1/4W [M] |
| R131 | ERDS2TJ102T | 1K 1/4W [M] | R409 | ERDS2TJ102T | 1K 1/4W [M] | R503 | ERDS2TJ103T | 10K 1/4W [M] | R563 | ERDS2TJ104T | 100K 1/4W [M] |
| R132 | ERDS2TJ103T | 10K 1/4W [M] | R410 | ERDS2TJ102T | 1K 1/4W [M] | R504 | ERDS2TJ103T | 10K 1/4W [M] | R564 | ERDS2TJ104T | 100K 1/4W [M] |
| R133 | ERDS2TJ102T | 1K 1/4W [M] | R411 | ERDS2TJ102T | 1K 1/4W [M] | R505 | ERDS2TJ103T | 10K 1/4W [M] | R565 | ERDS2TJ102T | 1K 1/4W [M] |
| R134 | ERDS2TJ102T | 1K 1/4W [M] | R412 | ERDS2TJ102T | 1K 1/4W [M] | R506 | ERDS2TJ103T | 10K 1/4W [M] | R566 | ERDS2TJ102T | 1K 1/4W [M] |
| R135 | ERDS2TJ102T | 1K 1/4W [M] | R413 | ERDS2TJ102T | 1K 1/4W [M] | R508 | ERDS1FVJ2R2T | 2.2 1/2W Δ [M] | R567 | ERDS2TJ101T | 100 1/4W [M] |
| R136 | ERDS2TJ102T | 1K 1/4W [M] | R414 | ERDS2TJ102T | 1K 1/4W [M] | R511 | ERDS2TJ471T | 470 1/4W [M] | R568 | ERDS2TJ101T | 100 1/4W [M] |
| | | | R415 | ERDS2TJ102T | 1K 1/4W [M] | R512 | ERDS2TJ471T | 470 1/4W [M] | R569 | ERDS2TJ332T | 3.3K 1/4W [M] |
| | | | R416 | ERDS2TJ102T | 1K 1/4W [M] | R513 | ERDS2TJ474T | 470K 1/4W [M] | R593 | ERDS2TJ471T | 470 1/4W [M] |

| Ref. No. | Part No. | Values & Remarks | Ref. No. | Part No. | Values & Remarks | Ref. No. | Part No. | Values & Remarks | Ref. No. | Part No. | Values & Remarks |
|----------|--------------|----------------------|----------|--------------|-----------------------|----------|--------------|------------------------|----------|--------------|------------------|
| R594 | ERDS2TJ471T | 470 1/4W [M] | R647 | ERG1SJ101E | 100 1W Δ [M] | R724 | ERDS1FVJ100T | 10 1/2W Δ [M] | R943 | ERDS2TJ102T | 1K 1/4W [M] |
| R595 | ERDS2TJ471T | 470 1/4W [M] | R648 | ERG1SJ101E | 100 1W Δ [M] | R725 | ERDS2TJ102T | 1K 1/4W [M] | R944 | ERDS2TJ104T | 100K 1/4W [M] |
| R596 | ERDS2TJ471T | 470 1/4W [M] | R649 | ERD25FVJ151T | 150 1/4W [M] | R726 | ERDS1FVJ471T | 470 1/2W Δ [M] | R945 | ERDS2TJ104T | 100K 1/4W [M] |
| R601 | ERDS2TJ102T | 1K 1/4W [M] | R650 | ERD25FVJ151T | 150 1/4W [M] | R731 | ERD25FVJ100T | 10 1/4W [M] | R946 | ERDS2TJ103T | 10K 1/4W [M] |
| R602 | ERDS2TJ102T | 1K 1/4W [M] | R652 | ERD25FVJ4R7T | 4.7 1/4W [M] | R732 | ERDS2TJ153T | 15K 1/4W [M] | R947 | ERDS2TJ103T | 10K 1/4W [M] |
| R603 | ERDS2TJ102T | 1K 1/4W [M] | R653 | ERDS2TJ682T | 6.8K 1/4W [M] | R733 | ERDS2TJ123T | 12K 1/4W [M] | R948 | ERDS2TJ103T | 10K 1/4W [M] |
| R604 | ERDS2TJ102T | 1K 1/4W [M] | R654 | ERDS2TJ682T | 6.8K 1/4W [M] | R734 | ERDS2TJ103T | 10K 1/4W [M] | R949 | ERDS2TJ103T | 10K 1/4W [M] |
| R605 | ERDS2TJ392T | 3.9K 1/4W [M] | R656 | ERDS2TJ681T | 680 1/4W [M] | R735 | ERDS2TJ103T | 10K 1/4W [M] | R950 | ERDS2TJ102T | 1K 1/4W [M] |
| R606 | ERDS2TJ392T | 3.9K 1/4W [M] | R657 | ERDS2TJ333T | 33K 1/4W [M] | R739 | ERD25FVJ180T | 18 1/4W [M] | R951 | ERDS2TJ122T | 1.2K 1/4W [M] |
| R607 | ERDS2TJ223T | 22K 1/4W [M] | R658 | ERDS2TJ333T | 33K 1/4W [M] | R740 | ERDS2TJ393T | 39K 1/4W [M] | R952 | ERDS2TJ152T | 1.5K 1/4W [M] |
| R608 | ERDS2TJ223T | 22K 1/4W [M] | R659 | ERDS2TJ183T | 18K 1/4W [M] | R742 | ERDS2TJ393T | 39K 1/4W [M] | R953 | ERDS2TJ182T | 1.8K 1/4W [M] |
| R609 | ERDS2TJ222T | 2.2K 1/4W [M] | R660 | ERDS2TJ224T | 220K 1/4W [M] | R743 | ERDS2TJ183T | 18K 1/4W [M] | R954 | ERDS2TJ222T | 2.2K 1/4W [M] |
| R610 | ERDS2TJ222T | 2.2K 1/4W [M] | R661 | ERDS2TJ102T | 1K 1/4W [M] | R751 | ERC12UGK335D | 3.3M 1/2W Δ [M] | R955 | ERDS2TJ332T | 3.3K 1/4W [M] |
| R611 | ERDS2TJ222T | 2.2K 1/4W [M] | R662 | ERDS2TJ102T | 1K 1/4W [M] | R754 | ERDS2TJ102T | 1K 1/4W [M] | R956 | ERDS2TJ472T | 4.7K 1/4W [M] |
| R612 | ERDS2TJ222T | 2.2K 1/4W [M] | R663 | ERDS2TJ102T | 1K 1/4W [M] | R771 | ERDS2TJ473T | 47K 1/4W [M] | R957 | ERDS2TJ682T | 6.8K 1/4W [M] |
| R613 | ERDS2TJ182T | 1.8K 1/4W [M] | R665 | ERDS2TJ472T | 4.7K 1/4W [M] | R772 | ERDS2TJ473T | 47K 1/4W [M] | R960 | ERDS2TJ102T | 1K 1/4W [M] |
| R614 | ERDS2TJ182T | 1.8K 1/4W [M] | R666 | ERDS2TJ472T | 4.7K 1/4W [M] | R773 | ERDS2TJ103T | 10K 1/4W [M] | R961 | ERDS2TJ122T | 1.2K 1/4W [M] |
| R615 | ERDS2TJ182T | 1.8K 1/4W [M] | R681 | ERDS2TJ270T | 27 1/4W [M] | R774 | ERDS2TJ335T | 3.3M 1/4W [M] | R962 | ERDS2TJ152T | 1.5K 1/4W [M] |
| R616 | ERDS2TJ182T | 1.8K 1/4W [M] | R682 | ERDS2TJ270T | 27 1/4W [M] | R775 | ERDS2TJ331T | 330 1/4W [M] | R963 | ERDS2TJ182T | 1.8K 1/4W [M] |
| R617 | ERDS2TJ563T | 56K 1/4W [M] | R683 | ERDS2TJ270T | 27 1/4W [M] | R776 | ERD25FVJ4R7T | 4.7 1/4W [M] | R964 | ERDS2TJ222T | 2.2K 1/4W [M] |
| R618 | ERDS2TJ563T | 56K 1/4W [M] | R684 | ERDS2TJ270T | 27 1/4W [M] | R777 | ERDS2TJ473T | 47K 1/4W [M] | R970 | ERDS2TJ102T | 1K 1/4W [M] |
| R619 | ERDS2TJ563T | 56K 1/4W [M] | R685 | ERDS2TJ270T | 27 1/4W [M] | R778 | ERDS2TJ472T | 4.7K 1/4W [M] | R971 | ERDS2TJ122T | 1.2K 1/4W [M] |
| R620 | ERDS2TJ563T | 56K 1/4W [M] | R686 | ERDS2TJ270T | 27 1/4W [M] | R779 | ERDS2TJ103T | 10K 1/4W [M] | R972 | ERDS2TJ152T | 1.5K 1/4W [M] |
| R621 | ERDS2TJ470T | 47 1/4W [M] | R687 | ERDS2TJ270T | 27 1/4W [M] | R782 | ERDS2TJ470T | 47 1/4W [M] | R973 | ERDS2TJ182T | 1.8K 1/4W [M] |
| R622 | ERDS2TJ470T | 47 1/4W [M] | R688 | ERDS2TJ270T | 27 1/4W [M] | R783 | ERDS2TJ103T | 10K 1/4W [M] | R974 | ERDS2TJ222T | 2.2K 1/4W [M] |
| R623 | ERDS2TJ470T | 47 1/4W [M] | R689 | ERDS2TJ270T | 27 1/4W [M] | R784 | ERDS2TJ154T | 150K 1/4W [M] | R1001 | ERDS2TJ223T | 22K 1/4W [M] |
| R624 | ERDS2TJ470T | 47 1/4W [M] | R690 | ERDS2TJ270T | 27 1/4W [M] | R785 | ERDS2TJ103T | 10K 1/4W [M] | R1002 | ERDS2TJ223T | 22K 1/4W [M] |
| R625 | ERDS1FVJ100T | 10 1/2W Δ [M] | R691 | ERDS2TJ270T | 27 1/4W [M] | R786 | ERDS2TJ104T | 100K 1/4W [M] | R1003 | ERDS2TJ102T | 1K 1/4W [M] |
| R626 | ERDS1FVJ100T | 10 1/2W Δ [M] | R692 | ERDS2TJ270T | 27 1/4W [M] | R787 | ERDS2TJ223T | 22K 1/4W [M] | R1004 | ERDS2TJ102T | 1K 1/4W [M] |
| R627 | ERDS1FVJ100T | 10 1/2W Δ [M] | R693 | ERDS2TJ270T | 27 1/4W [M] | R788 | ERDS2TJ223T | 22K 1/4W [M] | R1005 | ERDS2TJ203T | 20K 1/4W [M] |
| R628 | ERDS1FVJ100T | 10 1/2W Δ [M] | R694 | ERDS2TJ270T | 27 1/4W [M] | R789 | ERDS2TJ223T | 22K 1/4W [M] | R1007 | ERDS2TJ473T | 47K 1/4W [M] |
| R629 | ERDS2TJ104T | 100K 1/4W [M] | R695 | ERDS2TJ102T | 1K 1/4W [M] | R790 | ERDS2TJ223T | 22K 1/4W [M] | R1008 | ERDS2TJ473T | 47K 1/4W [M] |
| R630 | ERDS2TJ124T | 120K 1/4W [M] | R696 | ERDS2TJ102T | 1K 1/4W [M] | R793 | ERDS2TJ682T | 6.8K 1/4W [M] | R1009 | ERDS2TJ332T | 3.3K 1/4W [M] |
| R631 | ERDS2TJ154T | 150K 1/4W [M] | R699 | ERDS2TJ332T | 3.3K 1/4W [M] | R794 | ERDS2TJ682T | 6.8K 1/4W [M] | R1010 | ERDS2TJ332T | 3.3K 1/4W [M] |
| R632 | ERDS2TJ184T | 180K 1/4W [M] | R703 | ERDS1FVJ3R9T | 3.9 1/2W Δ [M] | R901 | ERDS2TJ102T | 1K 1/4W [M] | R1011 | ERDS2TJ332T | 3.3K 1/4W [M] |
| R633 | ERDS2TJ473T | 47K 1/4W [M] | R704 | ERDS1FVJ3R9T | 3.9 1/2W Δ [M] | R906 | ERDS2TJ182T | 1.8K 1/4W [M] | R1012 | ERDS2TJ102T | 1K 1/4W [M] |
| R634 | ERDS2TJ684T | 680K 1/4W [M] | R705 | ERDS2TJ472T | 4.7K 1/4W [M] | R907 | ERDS2TJ104T | 100K 1/4W [M] | R1051 | ERDS2TJ393T | 39K 1/4W [M] |
| R635 | ERDS2TJ154T | 150K 1/4W [M] | R706 | ERDS2TJ102T | 1K 1/4W [M] | R908 | ERDS2TJ104T | 100K 1/4W [M] | R1052 | ERDS2TJ105T | 1M 1/4W [M] |
| R636 | ERDS2TJ684T | 680K 1/4W [M] | R707 | ERD25FVJ221T | 220 1/4W [M] | R909 | ERDS2TJ104T | 100K 1/4W [M] | R1053 | ERDS2TJ102T | 1K 1/4W [M] |
| R637 | ERDS2TJ104T | 100K 1/4W [M] | R708 | ERDS2TJ152T | 1.5K 1/4W [M] | R910 | ERDS2TJ102T | 1K 1/4W [M] | R1055 | ERDS2TJ473T | 47K 1/4W [M] |
| R638 | ERDS2TJ563T | 56K 1/4W [M] | R709 | ERDS2TJ1R5T | 1.5 1/4W [M] | R911 | ERDS2TJ104T | 100K 1/4W [M] | R1056 | ERDS2TJ473T | 47K 1/4W [M] |
| R639 | ERDS2TJ333T | 33K 1/4W [M] | R710 | ERDS2TJ1R5T | 1.5 1/4W [M] | R917 | ERDS2TJ103T | 10K 1/4W [M] | R1061 | ERDS2TJ222T | 2.2K 1/4W [M] |
| R640 | ERDS2TJ473T | 47K 1/4W [M] | R711 | ERDS2TJ752T | 7.5K 1/4W [M] | R920 | ERDS2TJ271T | 270 1/4W [M] | | | |
| R641 | ERDS2TJ221T | 220 1/4W [M] | R712 | ERDS2TJ682T | 6.8K 1/4W [M] | R921 | ERDS2TJ121T | 120 1/4W [M] | | | |
| R642 | ERDS2TJ221T | 220 1/4W [M] | R713 | ERDS2TJ390T | 39 1/4W [M] | R922 | ERDS2TJ472T | 4.7K 1/4W [M] | | | CAPACITORS |
| R643 | ERDS2TJ221T | 220 1/4W [M] | R714 | ERDS2TJ390T | 39 1/4W [M] | R929 | ERDS2TJ101T | 100 1/4W [M] | | | |
| R644 | ERDS2TJ221T | 220 1/4W [M] | R721 | ERDS1FVJ471T | 470 1/2W Δ [M] | R930 | ERDS2TJ101T | 100 1/4W [M] | C1 | ECBT1H5R6KC5 | 5.6P 50V [M] |
| R645 | ERG1SJ101E | 100 1W Δ [M] | R722 | ERDS2TJ392T | 3.9K 1/4W [M] | R936 | ERDS2TJ103T | 10K 1/4W [M] | C2 | RCBS1H102KBY | 1000P 50V [M] |
| R646 | ERG1SJ101E | 100 1W Δ [M] | R723 | ERDS1FVJ100T | 10 1/2W Δ [M] | R937 | ERDS2TJ103T | 10K 1/4W [M] | C3 | ECBT1H2R2KC5 | 2.2P 50V [M] |
| | | | | | | | | | C4 | ECBT1H181KB5 | 180P 50V [M] |

| Ref. No. | Part No. | Values & Remarks | Ref. No. | Part No. | Values & Remarks | Ref. No. | Part No. | Values & Remarks | Ref. No. | Part No. | Values & Remarks |
|----------|--------------|------------------|----------|--------------|------------------|----------|--------------|------------------|----------|--------------|------------------|
| C5 | ECBT1H5R6KC5 | 5.6P 50V [M] | C148 | ECBT1C103NS5 | 0.01 16V [M] | C455 | ECBT1H102KB5 | 1000P 50V [M] | C559 | ECEA1CKA100B | 10 16V [M] |
| C6 | ECBT1H3R3KC5 | 3.3P 50V [M] | C149 | ECBT1C103NS5 | 0.01 16V [M] | C456 | ECBT1H102KB5 | 1000P 50V [M] | C560 | ECEA1CKA100B | 10 16V [M] |
| C7 | ECBT1H4R7KC5 | 4.7P 50V [M] | C150 | ECBT1H104ZF5 | 0.1 50V [M] | C457 | ECA1CM330B | 33 16V [M] | C561 | ECA1HM3R3B | 3.3 50V [M] |
| C8 | ECBT1H3R3KC5 | 3.3P 50V [M] | C172 | ECBT1H331KB5 | 330P 50V [M] | C458 | ECA1CM330B | 33 16V [M] | C562 | ECA1HM3R3B | 3.3 50V [M] |
| C9 | ECBT1H2R2KC5 | 2.2P 50V [M] | C173 | ECEA1CKA220B | 22 16V [M] | C459 | ECFR1E223KR | 0.022 25V [M] | C563 | ECBT1H104ZF5 | 0.1 50V [M] |
| C10 | ECBT1H180JC5 | 18P 50V [M] | C174 | ECEA1CKA100B | 10 16V [M] | C460 | ECFR1E223KR | 0.022 25V [M] | C585 | ECBT1H101KB5 | 100P 50V [M] |
| C11 | RCBS1H102KBY | 1000P 50V [M] | C175 | ECBT1C103NS5 | 0.01 16V [M] | C461 | ECBT1C682KR5 | 6800P 16V [M] | C586 | ECBT1H101KB5 | 100P 50V [M] |
| C101 | ECBT1C103NS5 | 0.01 16V [M] | C196 | ECBT1H102KB5 | 1000P 50V [M] | C462 | ECBT1C682KR5 | 6800P 16V [M] | C587 | ECBT1H101KB5 | 100P 50V [M] |
| C103 | ECBT1C103NS5 | 0.01 16V [M] | C330 | ECBT1H470J5 | 47P 50V [M] | C463 | ECEA1VKA4R7B | 4.7 35V [M] | C588 | ECBT1H101KB5 | 100P 50V [M] |
| C104 | ECBT1H102KB5 | 1000P 50V [M] | C331 | ECBT1H470J5 | 47P 50V [M] | C464 | ECEA1VKA4R7B | 4.7 35V [M] | C601 | ECEA1CKA220B | 22 16V [M] |
| C105 | ECBT1H102KB5 | 1000P 50V [M] | C351 | ECEA1CU101B | 100 16V [M] | C465 | ECBT1E103ZF5 | 0.01 25V [M] | C602 | ECEA1CKA220B | 22 16V [M] |
| C106 | ECBT1C103NS5 | 0.01 16V [M] | C352 | ECEA1CU101B | 100 16V [M] | C466 | ECBT1E103ZF5 | 0.01 25V [M] | C603 | ECEA1VKA4R7B | 4.7 35V [M] |
| C107 | ECBT1H473ZF5 | 0.047 50V [M] | C354 | ECBT1E103ZF5 | 0.01 25V [M] | C503 | ECEA0JKA101B | 100 6.3V [M] | C604 | ECEA1VKA4R7B | 4.7 35V [M] |
| C108 | ECBT1H8R2KC5 | 8.2P 50V [M] | C355 | ECBT1E103ZF5 | 0.01 25V [M] | C504 | ECEA0JKA101B | 100 6.3V [M] | C605 | ECA1JM330B | 33 6.3V [M] |
| C109 | ECBT1C103NS5 | 0.01 16V [M] | C357 | ECBT1E103ZF5 | 0.01 25V [M] | C505 | ECFR1C104MR | 0.1 16V [M] | C606 | ECA1JM330B | 33 6.3V [M] |
| C110 | ECBT1C103NS5 | 0.01 16V [M] | C358 | ECBT1E103ZF5 | 0.01 25V [M] | C506 | ECFR1C104MR | 0.1 16V [M] | C607 | ECA1JM330B | 33 6.3V [M] |
| C111 | ECEA1EKA4R7B | 4.7 25V [M] | C373 | ECA1EM470B | 47 25V [M] | C511 | ECEA1HKA3R3B | 3.3 50V [M] | C608 | ECA1JM330B | 33 6.3V [M] |
| C112 | ECBT1C103NS5 | 0.01 16V [M] | C374 | ECA1EM470B | 47 25V [M] | C512 | ECEA1HKA3R3B | 3.3 50V [M] | C609 | ECCR1H120KC5 | 12P 50V [M] |
| C113 | ECBT1H102KB5 | 1000P 50V [M] | C401 | ECEA1VKA4R7B | 4.7 35V [M] | C513 | ECBT1H150J5 | 15P 50V [M] | C610 | ECCR1H120KC5 | 12P 50V [M] |
| C114 | ECEA1HKA3R3B | 3.3 50V [M] | C402 | ECEA1VKA4R7B | 4.7 35V [M] | C514 | ECBT1H150J5 | 15P 50V [M] | C611 | ECCR1H120KC5 | 12P 50V [M] |
| C115 | ECEA1EKA4R7B | 4.7 25V [M] | C403 | ECBT1E103ZF5 | 0.01 25V [M] | C515 | ECBT1H221KB5 | 220P 50V [M] | C612 | ECCR1H120KC5 | 12P 50V [M] |
| C116 | ECBT1C822MS5 | 8200P 16V [M] | C404 | ECBT1E103ZF5 | 0.01 25V [M] | C516 | ECBT1H221KB5 | 220P 50V [M] | C613 | ECBT1H821KB5 | 820P 50V [M] |
| C117 | ECQB1H821JM3 | 820P 50V [M] | C405 | ECBT1H101KB5 | 100P 50V [M] | C517 | ECBT1H330J5 | 33P 50V [M] | C614 | ECBT1H821KB5 | 820P 50V [M] |
| C118 | ECFR1E183KR | 0.018 25V [M] | C406 | ECBT1H101KB5 | 100P 50V [M] | C518 | ECBT1H330J5 | 33P 50V [M] | C615 | ECBT1H821KB5 | 820P 50V [M] |
| C119 | ECFR1E183KR | 0.018 25V [M] | C409 | ECEA1CKA220B | 22 16V [M] | C519 | ECEA1VKA4R7B | 4.7 35V [M] | C616 | ECBT1H821KB5 | 820P 50V [M] |
| C120 | ECEA1HKA010B | 1 50V [M] | C410 | ECEA1CKA220B | 22 16V [M] | C520 | ECEA1VKA4R7B | 4.7 35V [M] | C617 | ECQV1H473JZ3 | 0.047 50V [M] |
| C121 | ECEA1HKA010B | 1 50V [M] | C411 | ECBT1H101KB5 | 100P 50V [M] | C521 | ECEA1VKA4R7B | 4.7 35V [M] | C618 | ECQV1H473JZ3 | 0.047 50V [M] |
| C122 | ECEA1HKA2R2B | 2.2 50V [M] | C412 | ECBT1H101KB5 | 100P 50V [M] | C522 | ECEA1VKA4R7B | 4.7 35V [M] | C619 | ECQV1H473JZ3 | 0.047 50V [M] |
| C123 | ECEA1HKA010B | 1 50V [M] | C415 | ECBT1E103ZF5 | 0.01 25V [M] | C523 | ECFR1E123KR | 0.012 25V [M] | C620 | ECQV1H473JZ3 | 0.047 50V [M] |
| C124 | ECBT1H102KB5 | 1000P 50V [M] | C416 | ECBT1E103ZF5 | 0.01 25V [M] | C524 | ECFR1E123KR | 0.012 25V [M] | C621 | ECEA2AU100B | 10 100V [M] |
| C125 | ECBT1H150JC5 | 15P 50V [M] | C417 | ECBT1H101KB5 | 100P 50V [M] | C525 | ECQV1H683JM3 | 0.068 50V [M] | C622 | ECEA1HN010SB | 1 50V [M] |
| C126 | ECBT1H104ZF5 | 0.1 50V [M] | C418 | ECBT1H101KB5 | 100P 50V [M] | C526 | ECQV1H683JM3 | 0.068 50V [M] | C623 | ECA1HM470B | 47 50V [M] |
| C127 | ECEA1CKA220B | 22 16V [M] | C419 | ECBT1H101KB5 | 100P 50V [M] | C527 | ECBT1C562KR5 | 5600P 16V [M] | C624 | ECEA2AN2R2SB | 2.2 100V [M] |
| C128 | ECBT1C103NS5 | 0.01 16V [M] | C420 | ECBT1H101KB5 | 100P 50V [M] | C528 | ECBT1C562KR5 | 5600P 16V [M] | C625 | ECEA1HN100SB | 10 50V [M] |
| C129 | ECEA0JKA101B | 100 6.3V [M] | C421 | ECBT1H101KB5 | 100P 50V [M] | C529 | ECQB1H273JM3 | 0.027 50V [M] | C626 | ECEA1HN100SB | 10 50V [M] |
| C130 | ECEA0JKA101B | 100 6.3V [M] | C422 | ECBT1H101KB5 | 100P 50V [M] | C530 | ECQB1H273JM3 | 0.027 50V [M] | C635 | ECEA1VKA4R7B | 4.7 35V [M] |
| C131 | ECBT1C103NS5 | 0.01 16V [M] | C423 | ECBT1H101KB5 | 100P 50V [M] | C531 | ECBT1E103ZF5 | 0.01 25V [M] | C636 | ECEA1HN010SB | 1 50V [M] |
| C132 | ECBT1H102KB5 | 1000P 50V [M] | C424 | ECBT1H101KB5 | 100P 50V [M] | C532 | ECBT1E103ZF5 | 0.01 25V [M] | C685 | ECBT1E103ZF5 | 0.01 25V [M] |
| C133 | ECBT1H150JC5 | 15P 50V [M] | C425 | ECBT1H101KB5 | 100P 50V [M] | C533 | ECEA1CKA220B | 22 16V [M] | C701 | ECBT1E103ZF5 | 0.01 25V [M] |
| C134 | ECBT1H180JC5 | 18P 50V [M] | C426 | ECBT1H101KB5 | 100P 50V [M] | C534 | ECEA1CKA220B | 22 16V [M] | C702 | ECQE2104KF3 | 0.1 250V [M] |
| C137 | ECBT1H271KB5 | 270P 50V [M] | C427 | ECBT1H101KB5 | 100P 50V [M] | C536 | ECBT1E103ZF5 | 0.01 25V [M] | C703 | EC0S1JP682CB | 6800P 63V [M] |
| C138 | ECBT1H271KB5 | 270P 50V [M] | C428 | ECBT1H101KB5 | 100P 50V [M] | C551 | ECEA1HKA3R3B | 3.3 50V [M] | C704 | EC0S1JP682CB | 6800P 63V [M] |
| C141 | ECEA1HKA010B | 1 50V [M] | C431 | ECEA1CKA100B | 10 16V [M] | C552 | ECEA1HKA3R3B | 3.3 50V [M] | C705 | EC0S1VP562BB | 5600P 35V [M] |
| C142 | ECEA1HKA010B | 1 50V [M] | C432 | ECEA1CKA100B | 10 16V [M] | C553 | ECBT1H101KB5 | 100P 50V [M] | C706 | EC0S1VP562BB | 5600P 35V [M] |
| C143 | ECEA1HKA010B | 1 50V [M] | C440 | ECBT1E103ZF5 | 0.01 25V [M] | C554 | ECBT1H101KB5 | 100P 50V [M] | C707 | ECA1VM101B | 100 35V [M] |
| C144 | ECEA1HKA010B | 1 50V [M] | C451 | ECEA1VKA4R7B | 4.7 35V [M] | C555 | ECBT1H221KB5 | 220P 50V [M] | C708 | ECKR1H103ZF5 | 0.01 50V [M] |
| C145 | ECBT1H220JC5 | 22P 50V [M] | C452 | ECEA1VKA4R7B | 4.7 35V [M] | C556 | ECBT1H221KB5 | 220P 50V [M] | C709 | ECA1CM330B | 33 16V [M] |
| C146 | ECBT1H331KB5 | 330P 50V [M] | C453 | ECBT1H101KB5 | 100P 50V [M] | C557 | ECBT1E103ZF5 | 0.01 25V [M] | C710 | ECBT1E103ZF5 | 0.01 25V [M] |
| C147 | ECBT1H102KB5 | 1000P 50V [M] | C454 | ECBT1H101KB5 | 100P 50V [M] | C558 | ECBT1E103ZF5 | 0.01 25V [M] | C711 | ECKR1H103ZF5 | 0.01 50V [M] |

| Ref. No. | Part No. | Values & Remarks | Ref. No. | Part No. | Values & Remarks | Ref. No. | Part No. | Values & Remarks | Ref. No. | Part No. | Values & Remarks |
|----------|--------------|------------------|----------|--------------|------------------|----------|----------|------------------|----------|----------|------------------|
| C712 | ECA1HM100B | 10 50V [M] | C1011 | ECEA1CKA100B | 10 16V [M] | | | | | | |
| C713 | ECKR1H103ZF5 | 0.01 50V [M] | C1012 | ECEA1CKA100B | 10 16V [M] | | | | | | |
| C714 | ECA1EM470B | 47 25V [M] | C1013 | ECEA1CKA100B | 10 16V [M] | | | | | | |
| C715 | ECEA1CU101B | 100 16V [M] | C1014 | ECEA0JU221B | 220 6.3V [M] | | | | | | |
| C721 | ECQE2104KF3 | 0.1 250V [M] | C1015 | ECQV1H104JM3 | 0.1 50V [M] | | | | | | |
| C731 | ECKR1H103ZF5 | 0.01 50V [M] | C1016 | ECQV1H104JM3 | 0.1 50V [M] | | | | | | |
| C732 | ECKR1H103ZF5 | 0.01 50V [M] | C1017 | ECA1HMR47B | 0.47 50V [M] | | | | | | |
| C751 | ECKWNS102MBM | 1000P 400V [M] | C1018 | ECEA1VKA4R7B | 4.7 35V [M] | | | | | | |
| C752 | ECKR1H103ZF5 | 0.01 50V [M] | C1019 | ECA1HMR47B | 0.47 50V [M] | | | | | | |
| C753 | ECA1EM102E | 1000 25V [M] | C1020 | ECEA1VKA4R7B | 4.7 35V [M] | | | | | | |
| C754 | ECBT1E103ZF5 | 0.01 25V [M] | C1021 | ECEA1HKAR15B | 0.15 50V [M] | | | | | | |
| C755 | ECA1CM470B | 47 16V [M] | C1022 | ECA1HM3R3B | 3.3 50V [M] | | | | | | |
| C757 | ECA1CM100B | 10 16V [M] | C1023 | ECQV1H154JZ3 | 0.15 50V [M] | | | | | | |
| C771 | ECEA1VKA4R7B | 4.7 35V [M] | C1024 | ECQV1H154JZ3 | 0.15 50V [M] | | | | | | |
| C772 | ECEA1VKA4R7B | 4.7 35V [M] | C1025 | ECA1HM3R3B | 3.3 50V [M] | | | | | | |
| C773 | ECBT1E223ZF5 | 0.022 25V [M] | C1026 | ECEA1HKAR15B | 0.15 50V [M] | | | | | | |
| C774 | ECEA0JKA101B | 100 6.3V [M] | C1027 | ECEA1VKA4R7B | 4.7 35V [M] | | | | | | |
| C775 | ECBT1E223ZF5 | 0.022 25V [M] | C1028 | ECA1HMR47B | 0.47 50V [M] | | | | | | |
| C776 | ECA1CM471B | 470 16V [M] | C1029 | ECEA1VKA4R7B | 4.7 35V [M] | | | | | | |
| C901 | ECA0JM102B | 02 6.3V [M] | C1030 | ECA1HMR47B | 0.47 50V [M] | | | | | | |
| C902 | ECBT1E223ZF5 | 0.022 25V [M] | C1031 | ECQV1H104JM3 | 0.1 50V [M] | | | | | | |
| C903 | ECBT1E103ZF5 | 0.01 25V [M] | C1032 | ECQV1H104JM3 | 0.1 50V [M] | | | | | | |
| C904 | ECA0JM102B | 02 6.3V [M] | C1033 | ECA1EM470B | 47 25V [M] | | | | | | |
| C906 | ECEA0JKA101B | 100 6.3V [M] | C1034 | ECQV1H474JM3 | 0.47 50V [M] | | | | | | |
| C908 | ECBT1E103ZF5 | 0.01 25V [M] | C1035 | ECBT1H681KB5 | 680P 50V [M] | | | | | | |
| C909 | ECEA1HKA220B | 22 50V [M] | C1036 | ECBT1H101KB5 | 100P 50V [M] | | | | | | |
| C910 | ECEA1HKA220B | 22 50V [M] | C1037 | ECBT1H101KB5 | 100P 50V [M] | | | | | | |
| C911 | ECEA1HKA220B | 22 50V [M] | C1038 | ECBT1H101KB5 | 100P 50V [M] | | | | | | |
| C912 | ECEA1HKA220B | 22 50V [M] | C1039 | ECEA1CU101B | 100 16V [M] | | | | | | |
| C913 | ECEA1VKA100B | 10 35V [M] | C1040 | ECEA1CKA100B | 10 16V [M] | | | | | | |
| C914 | ECEA1VKA100B | 10 35V [M] | C1041 | ECBT1E103ZF5 | 0.01 25V [M] | | | | | | |
| C916 | ECEA1HKA010B | 1 50V [M] | C1051 | ECA1HM2R2B | 2.2 50V [M] | | | | | | |
| C919 | ECBT1E103ZF5 | 0.01 25V [M] | C1052 | ECA1HMR33B | 0.33 50V [M] | | | | | | |
| C920 | ECEA1HKA010B | 1 50V [M] | C1053 | ECA1HM3R3B | 3.3 50V [M] | | | | | | |
| C935 | ECBT1H101KB5 | 100P 50V [M] | C1054 | ECEA0JU221B | 220 6.3V [M] | | | | | | |
| C939 | ECBT1H101KB5 | 100P 50V [M] | C1055 | ECA1HMR47B | 0.47 50V [M] | | | | | | |
| C952 | ECBT1H101KB5 | 100P 50V [M] | C1056 | ECQV1H823JZ3 | 0.082 50V [M] | | | | | | |
| C953 | ECBT1H101KB5 | 100P 50V [M] | C1057 | ECBT1C332KR5 | CERAMIC CAP. [M] | | | | | | |
| C955 | ECBT1H101KB5 | 100P 50V [M] | C1058 | ECQV1H823JZ3 | 0.082 50V [M] | | | | | | |
| C956 | ECBT1H101KB5 | 100P 50V [M] | C1059 | ECEA1CU101B | 100 16V [M] | | | | | | |
| C1001 | ECA1HM010B | 1 50V [M] | C1060 | ECBT1E223ZF5 | 0.022 25V [M] | | | | | | |
| C1002 | ECA1HM010B | 1 50V [M] | C1062 | ECBT1E223ZF5 | 0.022 25V [M] | | | | | | |
| C1003 | ECA1HM3R3B | 3.3 50V [M] | C1063 | ECEA1CU101B | 100 16V [M] | | | | | | |
| C1004 | ECA1HM3R3B | 3.3 50V [M] | C1065 | ECBT1H681KB5 | 680P 50V [M] | | | | | | |
| C1005 | ECA1HM010B | 1 50V [M] | C1067 | ECBT1C152KR5 | 1500P 16V [M] | | | | | | |
| C1007 | ECFR1E223KR | 0.022 25V [M] | C1068 | ECBT1C152KR5 | 1500P 16V [M] | | | | | | |
| C1008 | ECFR1E473KR | 0.047 25V [M] | | | | | | | | | |
| C1009 | ECEA0JU221B | 220 6.3V [M] | | | | | | | | | |
| C1010 | ECEA1CKA100B | 10 16V [M] | | | | | | | | | |